

Technical Data Sheet

Commutator motors F 457, F 457 EL



More than just pumps



Advantages/characteristics:

- ▶ Powerful commutator motor
- ▶ Low noise level
- ▶ Compact design
- ▶ Easy to handle
- ▶ Optionally with integrated no-volt release
- ▶ Very good air cooling
- ▶ F 457 EL: with stepless speed setting to regulate the rising medium



Technical data/type	F 457	F 457 EL
Motor type	Single phase universal motor	
Housing, material	Polypropylene	
Venting	Internally ventilated	
Motor protection	Circuit breaker	
Low-voltage protection	Optional	
Speed setting, stepless	No	Yes
Power supply cable (100 - 240 V)	H 05 RN-F 2X 1,0	
Standard cable length (m) ¹⁾	5	
Standard plug ²⁾	CEE 7 / 17	
Weight (kg)	4,0	

Certificates	
Operation category as per EN 60034-1 (VDE 0530)	S1 (continuous operation)
Protection class as per DIN EN 60 529	IP 24
Operating range	
Operating temperature (°C)	-20 to +40

1) Other cable lengths available on request 2) Other plugs available on request

Nominal data for F 457, output 800 Watt					
Nominal voltage (V) ¹⁾	240	230	120	110	
Nominal frequency (Hz)	50	50	50 - 60	60	50
Nominal output (W)	800				
Nominal speed (R/min)	9 000				
Nominal current (A)	3,7	3,8	3,8	7,5	7,8
Protection class	II	II	II	II	II

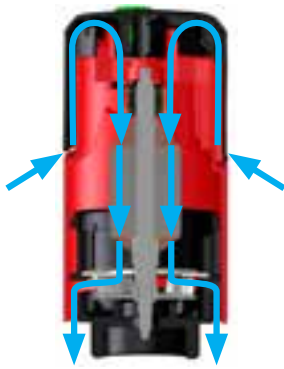
Nominal data for F 457 EL, output 800 Watt					
Nominal voltage (V)	240	230	120	110	
Nominal frequency (Hz)	50	50	60	50	
Nominal output (W)	800				
Nominal speed (R/min)	9 000				
Nominal current (A)	3,7	3,8	7,5	7,8	
Protection class	II	II	II	II	

1) The 230 V version without low-voltage protection can also be operated with 60 Hz.
The speed is reduced by approx. 5 % (with the same input power). Power consumption increases by 5 %.

Technical Data Sheet

Commutator motors F 457, F 457 EL

Design:

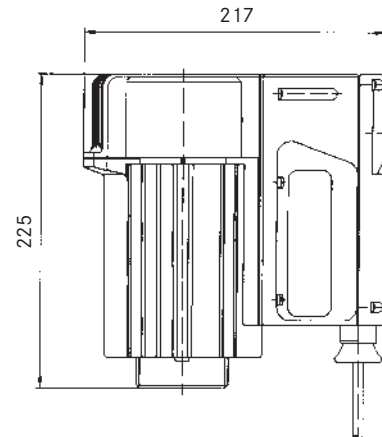


F 457 internally ventilated.

The cooling air flows through the chambers of the double housing.

The arrows show the direction of the cooling air through the chambers of the double housing.

Dimensions [mm]:



Part numbers:

Voltage (Volt)	Frequency (Hz)	Output (Watt)	Cable length (m)	Plug CEE 7/7	Part no.	
					Low-voltage protection	
Motor F 457, without speed setting					with	without
240	50	800	5	CEE 7/17	10-457 01 006	10-457 01 007
			5	-	10-457 01 013	10-457 01 012
230	50		5	CEE 7/17	10-457 01 005	10-457 01 002
			5	-	10-457 01 039	10-457 01 038
120	50-60		5	CEE 7/17	-	10-457 01 037
	60		5	NEMA 1-15P	10-457 01 004	10-457 01 000
110	50		5	CEE 7/17	10-457 01 009	10-457 01 010
			5	-	10-457 01 015	10-457 01 014
Motor F 457 EL, with speed setting					with	without
240	50	800	5	CEE 7/17	10-457 01 008	-
			5	-	10-457 01 016	-
230	50		5	CEE 7/17	10-457 01 003	10-457 01 041
			5	-	10-457 01 040	-
120	60		5	NEMA 1-15P	10-457 01 001	-
			5	CEE 7/17	10-457 01 011	-
110	50		5	-	10-457 01 017	-