

Technical data sheet

Commutator motor FEM 3070 and COMBIFLUX pump FP 314



More than just pumps

Commutator motor FEM 3070



Special features:

- ▶ With mains connection
- ▶ Internal ventilated commutator motor
- ▶ Double insulated - protection class II
- ▶ Two step speed adjustment
- ▶ With overload cut-out switch
- ▶ 230 Volt version VDE-GS approved
- ▶ Ergonomic design handle - one-handed operation

Motor type	Storage of motor	Speed control	Allowed ambient temperature in operation [°C]	Allowed ambient temperature on storage [°C]	Max. viscosity [mPas]	Protection class	Weight [kg]	Protection class
Internally ventilated commutator motor	Ball-bearing	2-steps	-20 to +40	-20 to +60	250	IP24	1,5	II

Nominal voltage [V]	Power frequency [Hz]	Rated power [W]	Type of plug according to norm:	Cable length [m]
240	50	230	Europe: CEE 7 /XVII	5
230	50-60	230	Europe: CEE 7 /XVII Switzerland: Typ 11	5
120	60	230	North America: NEMA 1-15P	5
110	50-60	230	Europe: CEE 7 /XVII	5
100	50-60	230	Japan: JISC 8308, 8358 7A	5

COMBIFLUX pump FP 314



Type	FP 314 PVDF-25/19	FP 314 PP-25/19	FP 314 PP-32/25	FP 314 S-28/25
Type of seal	Sealless			
Immersion length [mm]	500/700/1.000		500/700/1.000/1.200	
Outer Ø [mm]	25		32	28
Connection thread	G1 A			G ¾ A
Materials in contact with the medium	PVDF, ETFE, PTFE/carbon, Hastelloy C	PP, ETFE, PTFE/carbon, Hastelloy C		Stainless steel (316 Ti), ETFE, PTFE/carbon
Viscosity max.	250 mPas			
Temperature of medium max.	60 °C	45 °C		60 °C
Weight [kg] at a length of 500/700/1.000/1.200 mm	0,3/0,3/0,4	0,3/0,3/0,4	0,3/0,3/0,4/0,6	1,0/1,1/1,5/1,9

Performance data and dimensions

Commutator motor FEM 3070 and COMBIFLUX pump FP 314

Commutator motor FEM 3070 with COMBIFLUX pump FP 314

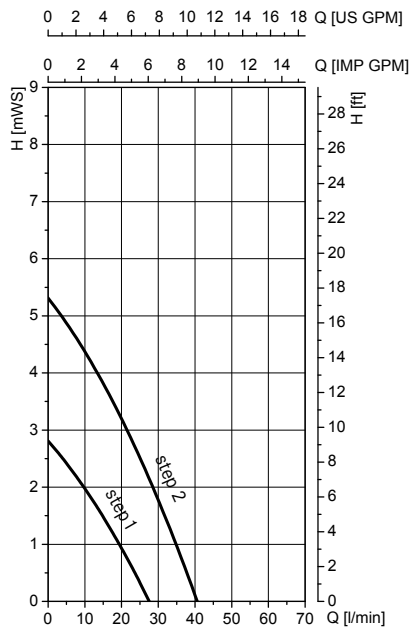
Performance data

Speed	Delivery rate Q max. [l/min]* at:		Delivery head H max. [mWs]** at:	
	step 1	step 2	step 1	step 2
FP 314 PP-25/19 FP 314 PVDF-25/19	27	40	2,8	5,3
FP 314 PP-32/25 FP 314 S-28/25	44	56	4,7	8,5

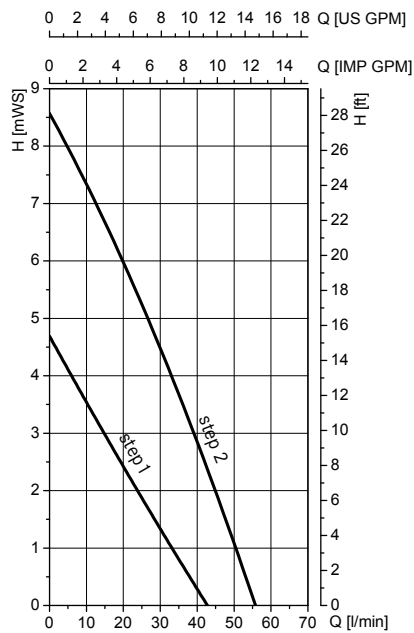
Performance charts*

Commutator motor FEM 3070 with COMBIFLUX pump:

FP 314 **PP-25/19**
FP 314 **PVDF-25/19**



FP 314 **PP-32/25**
FP 314 **S-28/25**

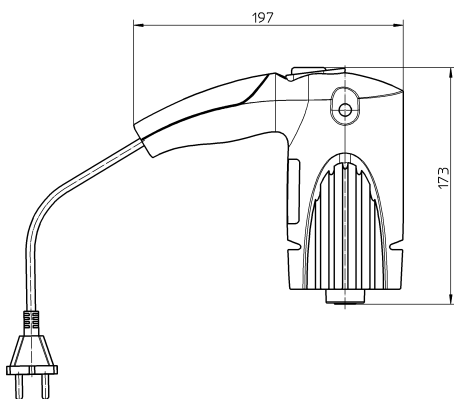


* measured with free outlet, water at 20 °C, values ± 10 %

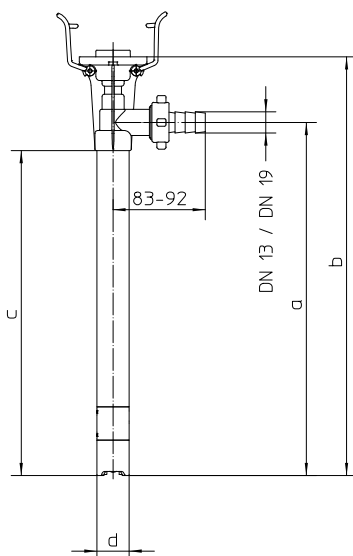
** measured with water at 20 °C

Dimensions [mm]

Commutator motor FEM 3070



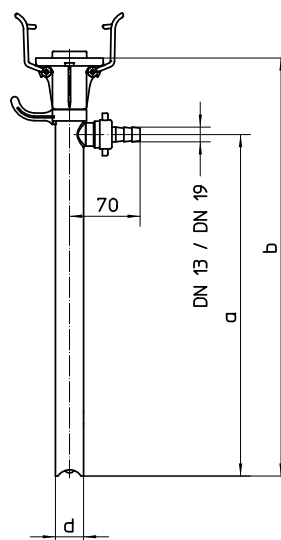
FP 314 PP+PVDF without motor



Immersion length	a	b	c	d	
1.200	1.200	1.538	1.172	Ø 32	
1.000	1.000	1.338	972	Ø 32	
700	700	1.038	672	Ø 25	Ø 32
500	500	838	472	Ø 32	

Dimensions in mm

FP 314 S without motor



Immersion length	a	b	d	
1.200	1.189	1.538	Ø 28	
1.000	989	1.338	Ø 28	
700	689	1.038	Ø 28	
500	489	838	Ø 28	

Dimensions in mm

Part numbers

Commutator motor FEM 3070 and COMBIFLUX FP 314

Motor FEM 3070

Description	Part no.
FEM 3070 (240 V, 50 Hz)	10-307 01 001
FEM 3070 (230 V, 50-60 Hz)	10-307 01 000
FEM 3070 (230 V, 50-60 Hz) (Swiss version)	10-307 01 005
FEM 3070 (120 V, 60 Hz)	10-307 01 002
FEM 3070 (110 V, 50-60 Hz)	10-307 01 003
FEM 3070 (100 V, 50-60 Hz)	10-307 01 004

COMBIFLUX pump FP 314

Pump type / Immersion length [mm]	FP 314 PP-25/19	FP 314 PP-32/25	FP 314 PVDF-25/19	FP 314 S-28/25
	Part no.			
500	10-314 45 905	10-314 46 905	10-314 65 905	10-314 26 905
700	10-314 45 907	10-314 46 907	10-314 65 907	10-314 26 907
1.000	10-314 45 910	10-314 46 910	10-314 65 910	10-314 26 910
1.200	-	10-314 46 912	-	10-314 26 912

Other accessories:

We offer the appropriate accessories for the COMBIFLUX, such as: hand nozzles, hoses, compression glands or liquid meters. See our brochure for accessories and the price list for the precise specifications.